

## Ultraviolet Germicidal Irradiation Amalgam (for ducting)

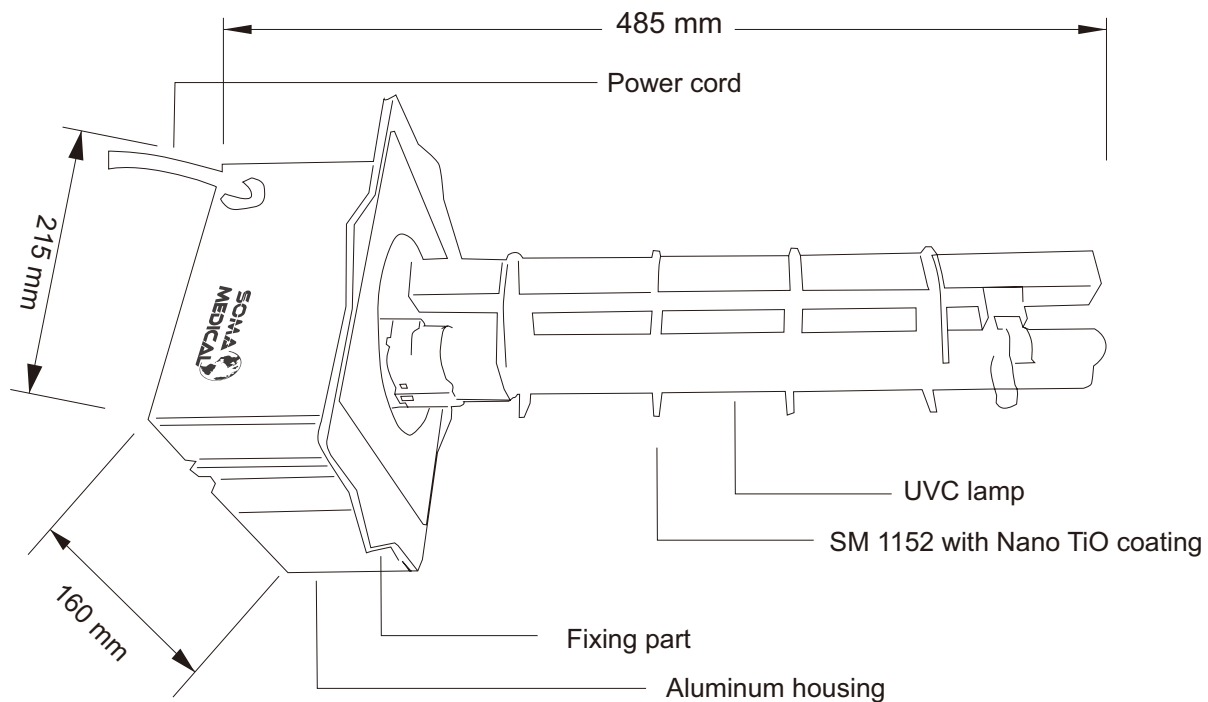
Model: LEO-3 (Version 3)  
 Lightwave: UV-C primarily in the 253.7nm wavelength  
 UV intensity @ 1m: 120  $\mu\text{W}/\text{cm}^2$   
 Bulb lifespan: 8 000 operational hours  
 Ballast lifespan: 30 000 operational hours  
 UVC Power: 36 watts  
 Product dimension: 215x160x485 mm  
 Voltage supply: AC220-230V,50Hz  
 Efficient area: 845 CBM/hour (500 CFM)  
 PCO inside  
 Aluminum housing  
 Duct use

### Packing information:

1 pc/inner carton: 500x230x180mm  
 6 pcs/outer carton: 505x470x570mm  
 NW: 16kgs      GW: 21kgs



### Structural Representation and Schematic Diagram of the LEO-3



2

The best way to prevent airborne diseases, yeast, fungi, bacteria and mold is to **ELIMINATE** them

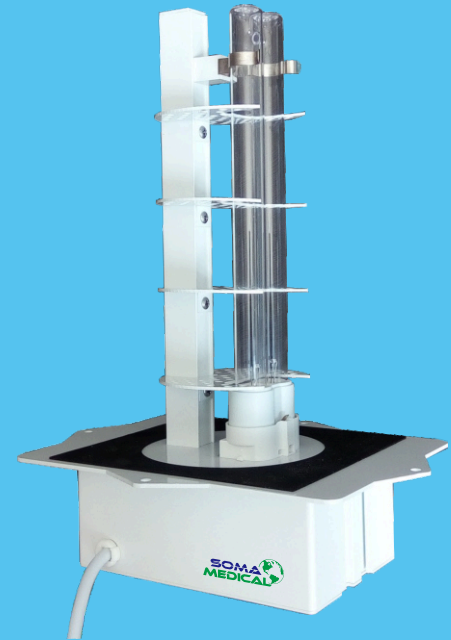
**UVGI LEO-3**

## Ultraviolet Germicidal Irradiation Amalgam (for ducting)

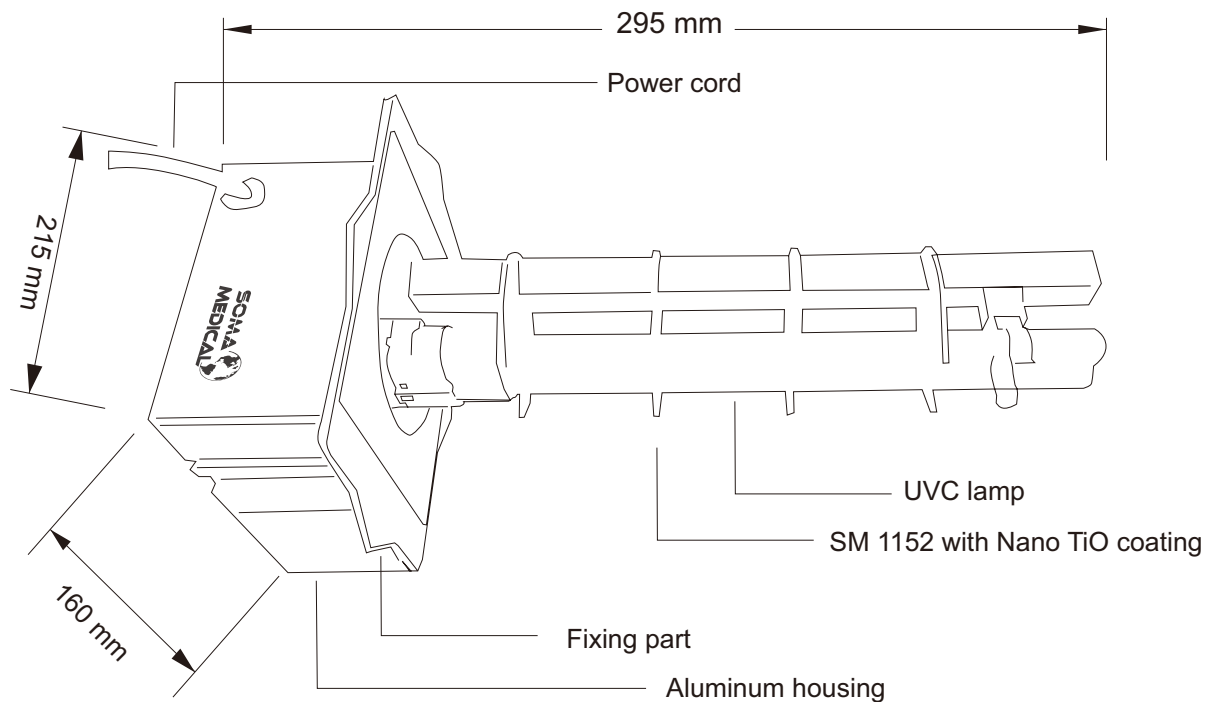
Model: LEO-3 (Version 2)  
 Lightwave: UV-C primarily in the 253.7nm wavelength  
 UV intensity @ 1m: 60  $\mu\text{W}/\text{cm}^2$   
 Bulb lifespan: 8 000 operational hours  
 Ballast lifespan: 30 000 operational hours  
 UVC Power: 18 watts  
 Product dimension: 215x160x295 mm  
 Voltage supply: AC220-230V,50Hz  
 Efficient area: 338 CBM/hour (200 CFM)  
 PCO inside  
 Aluminum housing  
 Duct use

### Packing information:

1 pc/inner carton: 310x230x180mm  
 6 pcs/outer carton: 315x470x570mm  
 NW: 13kgs      GW: 18kgs



### Structural Representation and Schematic Diagram of the LEO-3



The best way to prevent airborne diseases, yeast, fungi, bacteria and mold is to **ELIMINATE** them

**UVGI LEO-3**